



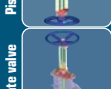
Line Blind Valve  
Sliding type / type 111

application: liquids liquids with hard particles powders  
high viscosity fluids gas

# Line Blind Valve

## Sliding type / type 111

Line Blind

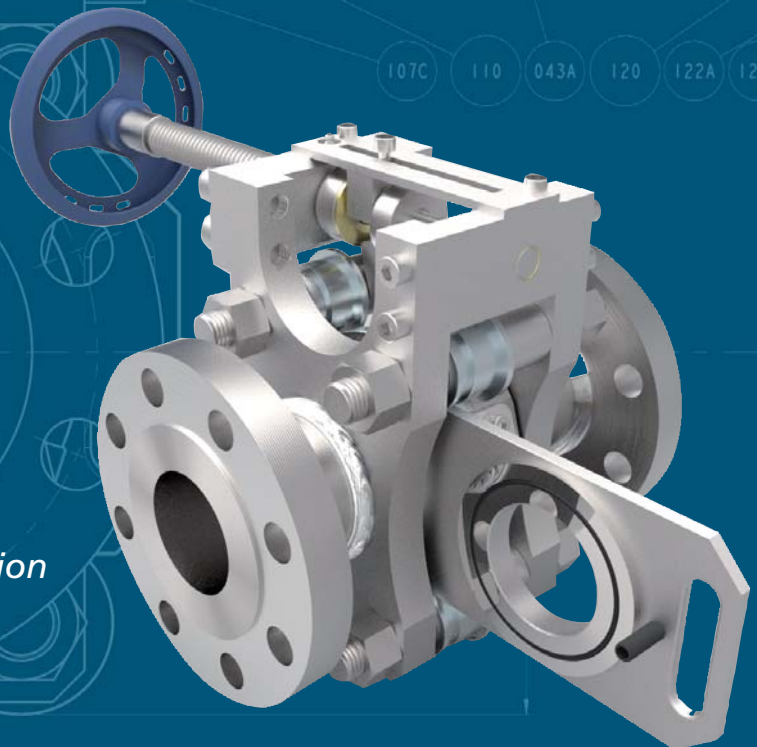


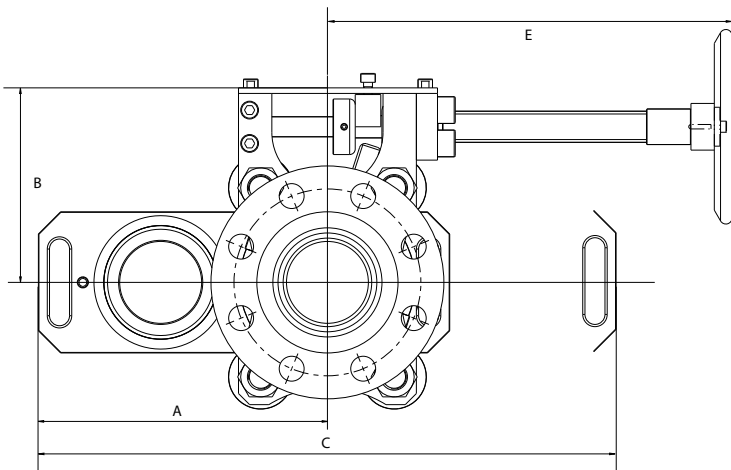
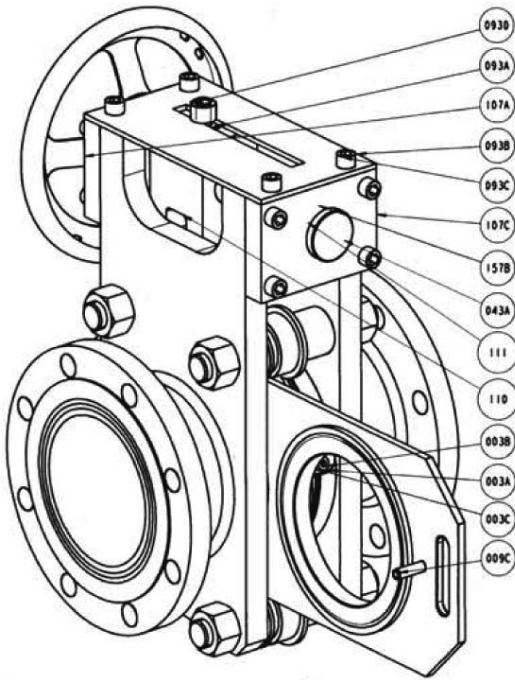
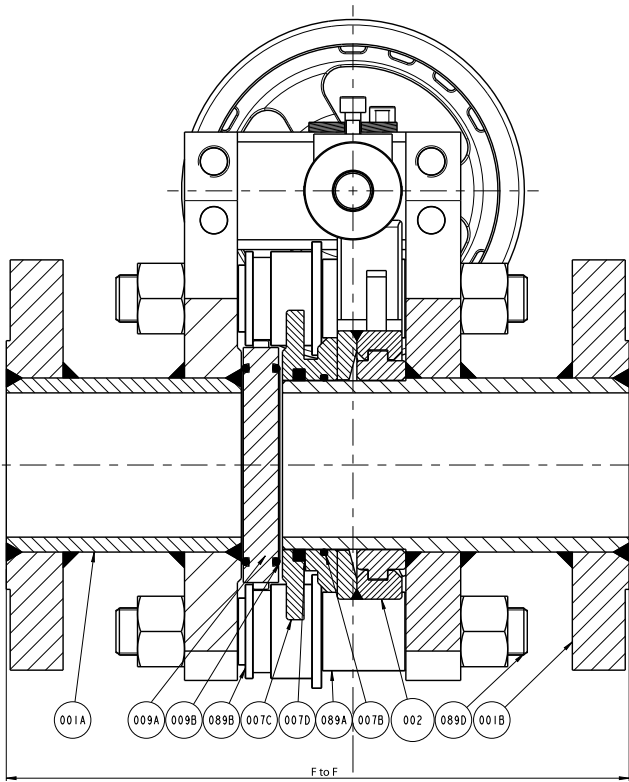
### Features

- Positive shut-off
- No line spread
- No pressure drop
- Retraction system on the spectacle to avoid seals damage during operation
- Operating temperature range: -196°C to +535°C
- Locking device
- Mechanical stops to set the spectacle plate in the correct position
- Flanged ends
- Face to Face acc. to ASME B16.10
- No additional tools

### Competitive advantages

- Positive shut-off  
⇒ *better efficiency*
- Light weight  
⇒ *cost saving solution*
- Only one operator to blind/unblind up to a 48" pipeline  
⇒ *quick and easy operation*
- Locking device  
⇒ *safety improved*





Part n°	Part name	Qty	Material
001A	HALF BODY	1	STAINLESS STEEL
001B	HALF BODY	1	STAINLESS STEEL
002	YOKE NUT	1	STAINLESS STEEL
003A	SEAT HOLDER	2	STAINLESS STEEL
007B	O'RING	1	FKM
007C	SEAT	1	STAINLESS STEEL
007D	DUST SEAL	1	PTFE
009A	BLIND PLATE	1	STAINLESS STEEL
009B	O'RING	4	FKM
043A	STEM	1	STAINLESS STEEL
089A	COLUMN	4	STAINLESS STEEL
089B	PLATE HOLDER	4	STAINLESS STEEL
093A	LEVER PUSHER	2	STAINLESS STEEL
093B	PUSH WASHER	1	BRONZE
093C	POSITION INDICATOR	1	STAINLESS STEEL
093D	INDICATOR PLATE	1	STAINLESS STEEL
096	INDICATOR PIN	2	STAINLESS STEEL
107A	UPPER BRIDGE	1	STAINLESS STEEL
107B	LOWER BRIDGE	1	STAINLESS STEEL
110	YOKE NUT	1	BRONZE
116	GREASING NIPPLE	1	STAINLESS STEEL
121	HANDWHEEL	1	CARBON STEEL
157	BUSHING	1	"GLYCODUR"®

Class 150

Class 300

	F to F	A	B	C	E	Weight Kg
1" - 25	200	175	148	350	305	15
1 1/2" - 40	252	205	160	420	305	21
2" - 50	252	205	170	420	305	25
3" - 80	269	260	188	520	364	38
4" - 100	318	285	193	570	344	52
6" - 150	328	390	331	780	184*	96
8" - 200	381	460	361	920	359	166
10" - 250	400	530	420	1060	373	308
12" - 300	425	605	510	1210	436	420
1" - 25	232	175	148	350	305	17
1 1/2" - 40	257	205	163	410	305	24
2" - 50	258,5	205	170	410	305	28
3" - 80	318	260	188	520	364	44
4" - 100	366	285	185	570	355	66
6" - 150	449	390	327	780	339*	158
8" - 200	490	460	361	920	414	241
10" - 250	520	530	420	1060	373	350
12" - 300	560	605	510	1210	436	460

\* with gear box

## OPTIONS

- Austenitic stainless steels (304, 321, 904 ...) Duplex, Hastelloy®, Incoloy®, Monel®, Inconel®, Titanium
- Size (DN) up to NPS 48 (1200 mm)
- Pressure Class up to Class 2,500 (PN 400)
- BW, threaded, screwed connection
- Special Face to Face
- High temperature (+800°C) construction
- Special seals material according to applications
- Double sealing
- Drain/Vent
- Pressure indicator
- Pneumatic or electric actuation
- Limit switches for position indication (Open/Close)
- EN10204 3.1 certificates, ATEX
- ASME, JIS, GOST standards

26 rue Paul Girod – Z.I. Bissy • 73000 Chambéry • France  
 Tél : + 33 (0)4 79 44 59 00 • Fax : + 33 (0)4 79 44 59 01  
 E-mail : info@guichon.com • www.guichon.com