



Petro-chemicals



Plastics and Polymers



General Chemicals



Fine Chemicals



Nuclear and Navy



Cryogenic Service



Other Applications

Single sliding disc through conduit valve Metal-to-Metal seating/ type 206-TLV

medium: liquids liquids with solid particles gas
cracked gas high viscosity fluids

Single sliding disc through conduit valve

Metal-to-Metal seating / type 206-TLV

Slide valve

Ball & plug valve



Butterfly valve



Globe valve



Slide valve



Safety Relief



Rinsing Injection



Tank bottom valve



Control



Multitray



Sampling valve



Piston valve



Gate valve



Check valve



Accessories



Actuator



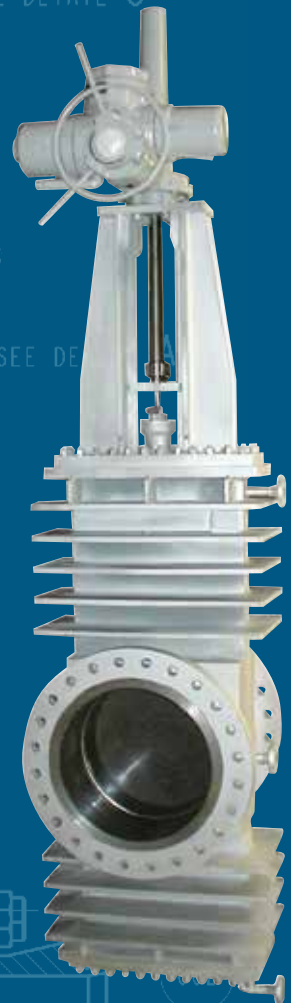
Features

- Welded or cast construction
- Full bore, through conduit design in open position
- Metal-to-metal seated gate
- Operating temperature up to 525°C (carbon steel)
- Hardfaced seats
- Seats protected by the gate in open position
- Tight shut off in both flow directions
- Replaceable upstream/downstream body sleeves
- Bolted stuffing box, self-adjusted by means of spring washers
- Steam injection nozzles

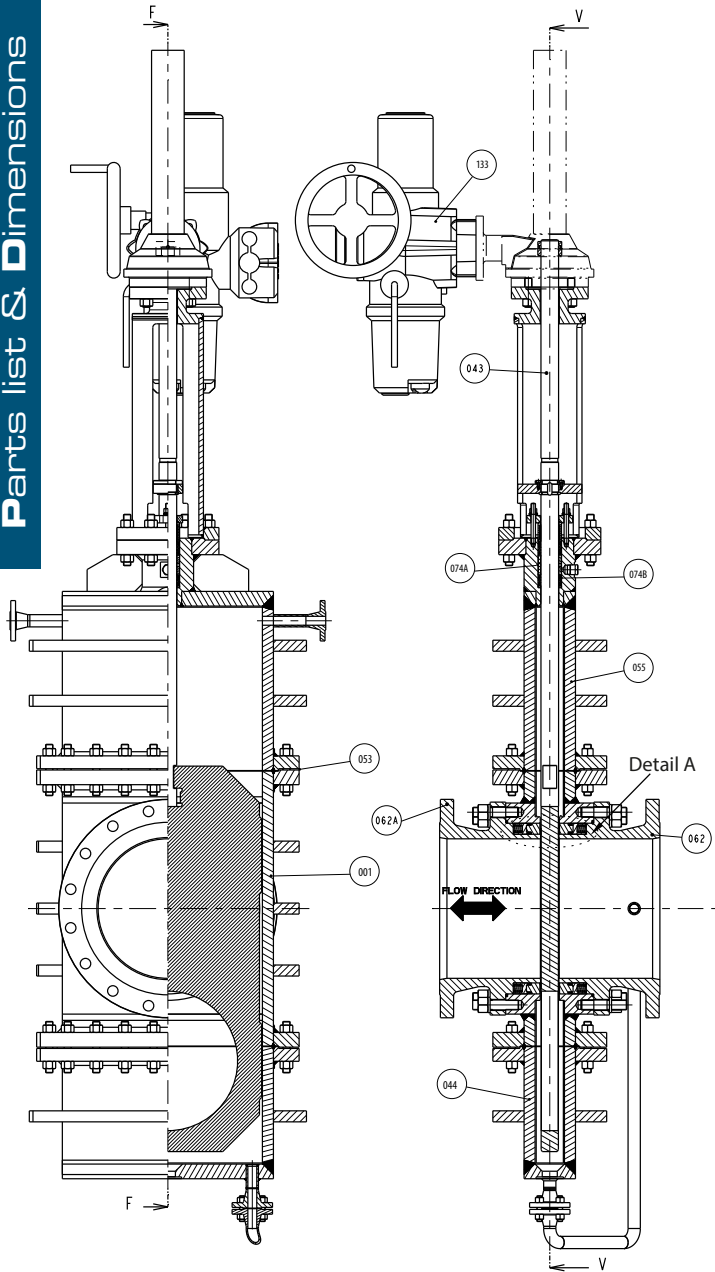
Competitive advantages

- Metal-to-metal seating
 - ➡ suitable for high operating temperature
- Full bore, through conduit design in open position
 - ➡ no retention area, no pressure drop
 - ➡ circulation of cleaning devices (pigging) enabled
- Bi-directional flow
 - ➡ safety against back pressure in the line
- Gland repackable in service
 - ➡ no production stop for maintenance
- Removable upstream/downstream body sleeves
 - ➡ easier maintenance
- Compact design
 - ➡ easier installation

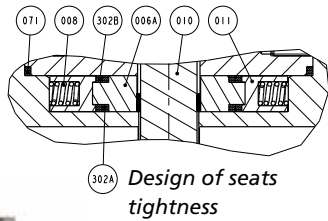
designed & made in France



GUICHON
VALVES



Detail A



Design of seats tightness



Part n°	Part name	Qty	Material
001	BODY	1	CARBON STEEL
006A	SEAT	2	STAINLESS STEEL
008	SPRING	96	INCONEL X750
010	GATE	1	STAINLESS STEEL
011	GATE	2	STAINLESS STEEL
043	STEM	1	13% CR
044	REMOVABLE BOTTOM	1	CARBON STEEL
053	BODY GASKET	2	SS/GRAPHITE
055	BONNET	1	CARBON STEEL
062	BODY SLEEVE (DOWNSTREAM)	1	CARBON STEEL
062A	BODY SLEEVE (UPSTREAM)	1	CARBON STEEL
074A	PACKNG	4	GRAPHITE
074B	PACKING	5	GRAPHITE
133	ELECTRIC ACTUATOR	1	
302A	SEAT PACKING	4	GRAPHITE
302B	SEAT PACKING	4	GRAPHITE

Fabrication range (on request)

Size 6 in. (DN150) to 60 in. (DN1500)

Class 150 - 600 (PN 10 to 100)

*according to size

Main applications

Ethane cracking / Ethylene processes

Steam cracking

Coking processes

Steel industry

Mining industry

Chemical processes

OPTIONS

- Other materials
- Other pressure classes
- Inverted gate bore for vertical installation
- Removable bottom for bodycleaning
- Additional purge / cleaning nozzles (for steam or other fluid)
- Reduced seats bore (shorter face-to-face)
- Fire safe design
- Gland leak detector
- Pneumatic, electric or hydraulic actuator
- Emergency handwheel on pneumatic actuator
- Hand operated version mounted on ISO base for retrofitted motor operation
- Dry air operated pneumatic actuator
- Pneumatic actuator locking in closed position
- Emergency handwheel locking